

## Handle tubes

with screw channel

### SPECIFICATION

Aluminium

plastic coated  
black, RAL 9005, textured finish **SW**  
(available up to 3000 mm length)

anodized, natural colour **EL**  
(available up to 2600 mm length)

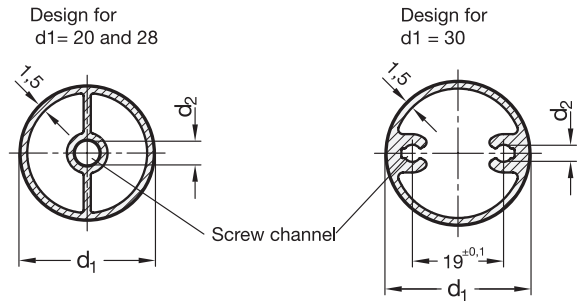
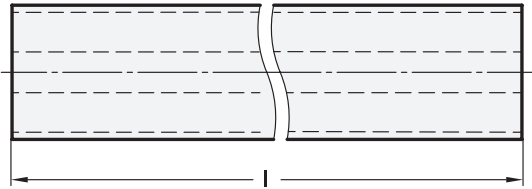
### INFORMATION

Handle tubes GN 930 with screw channel are designed for use in a variety of different tube handles (e.g. GN 333, see page 1448).

For applications not requiring handle bases, the screw channel provides a very economical fixing solution with thread-tapping screws. The lengths *l* listed in the table are ex stock lengths. Depending to the finish, any lengths until max. 3000 mm are available.

### ON REQUEST

Plastic cover in black or light grey for tube Ø 28



\* Complete with colour index of the Handle tubes (SW or EL)

**SW** **EL**  
RAL9005 anodized

### GN 930

Description	d1 ±0.25	l ±0.25	d2	For thread tapping screws DIN 7500	⊘
GN 930-20-194-*	20	194	4.5	M 5	63
GN 930-20-244-*	20	244	4.5	M 5	80
GN 930-20-294-*	20	294	4.5	M 5	98
GN 930-20-394-*	20	394	4.5	M 5	134
GN 930-28-192-*	28	192	5.5	M 6	140
GN 930-28-242-*	28	242	5.5	M 6	160
GN 930-28-292-*	28	292	5.5	M 6	180
GN 930-28-392-*	28	392	5.5	M 6	200
GN 930-28-492-*	28	492	5.5	M 6	240
GN 930-28-592-*	28	592	5.5	M 6	280
GN 930-30-189-*	30	189	3.6	M 4	140
GN 930-30-289-*	30	289	3.6	M 4	180
GN 930-30-389-*	30	389	3.6	M 4	220
GN 930-30-489-*	30	489	3.6	M 4	260
GN 930-30-589-*	30	589	3.6	M 4	300
GN 930-30-989-*	30	989	3.6	M 4	570